

9.7 cm (3.8") STN-LCD module

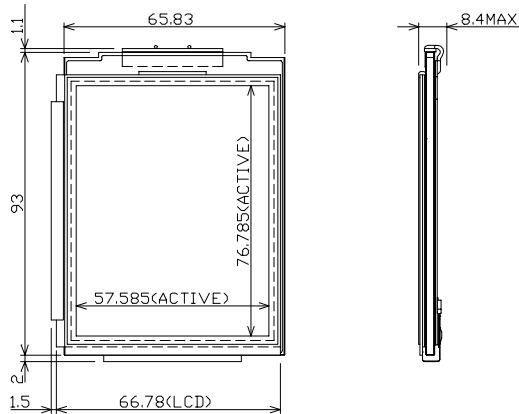
MD578TN10-L1



Features

- High contrast and low power consumption suitable for IT devices
- Bright LED backlight
- 3.3V single power source (Built-in DC/DC convertor for LCD driving circuit)

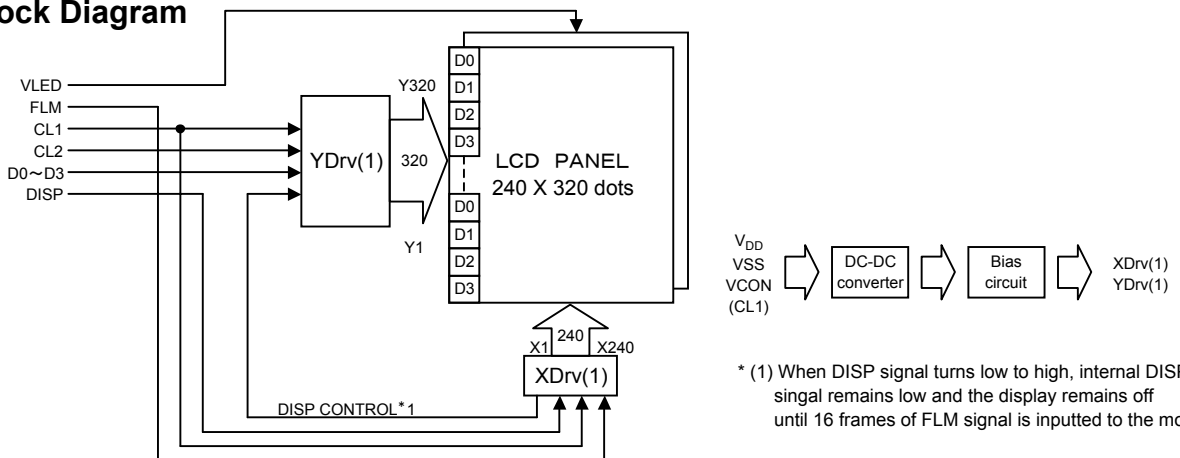
Dimensions



Specifications

Items	Specifications	Units	Notes
Dot format	320 x 240	dots	
Dot pitch	0.24 x 0.24	mm	
Contrast ratio	4		
Supply voltage for logic	3.3	V	
Available types	Transflective		
Brightness	14	cd/m ²	LED

Block Diagram



* Specifications of this product are subject to change without notice.

CASIO CASIO ELECTRONIC DEVICES CO.,LTD.

22-20,Akebono-cho 2-chome,Tachikawa-shi,Tokyo 190-0012 Japan
Phone +81-42-527-6331 Fax +81-42-527-6332